

Aseptic Check Valve



1. APPLICATIONS

Aseptic Check Valve is used to avoid fluids reversal on pharmaceutical and chemical plants. The valve internal design, if compared with traditional check valve with o-ring, has been engineered to dramatically reduce the risk of contamination caused by bacteria traps. Clean surfaces design, easy and fast maintenance operations without tools and efficient CIP phases are very appreciated advantages of this valve in pharmaceuticals applications.



The valve body is completely machined from solid AISI 316L round bars. It is assembled by a quick BS 4825 standard clamp with ptfе gasket. The internal shape is designed to reduce load loss and the exclusive ptfе internal element works as self guided seal. A very clean fluid retention is obtained by a spherical ptfе surface component spring guided on a stainless steel edge.



DAM RACCORDI S.R.L.
PURE FLOW EQUIPMENT

DAM raccordi s.r.l.
Via Melozzo da Forlì, 27/A
20060 Mombretto di Mediglia (MI)
ITALY

Tel. +39 02 8965 0921
Fax +39 02 8965 0920
mobile +39 335 58 65 642
damraccordi@alice.it—info@damraccordi.it

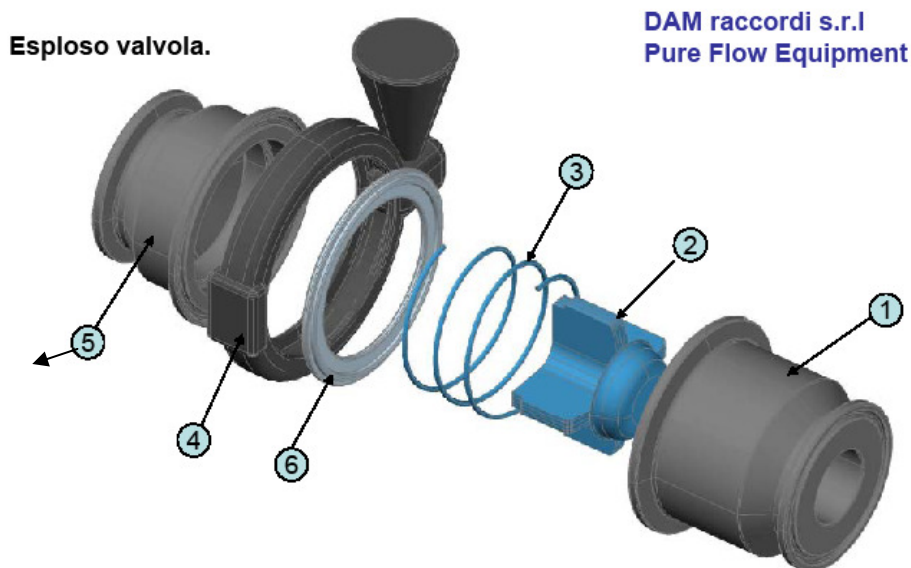


TABLE OF MATERIALS

REF.	DESCRIPTION	MATERIAL
1	Valve Body	AISI 316L stainless steel
2	Self Guided Seal	PTFE
3	Spring	AISI 316L stainless steel
4	Clamp	AISI 304L stainless steel
5	Valve Body	AISI 316L stainless steel
6	Body Gasket	PTFE

CONDIZIONI DI IMPIEGO

WORKING PRESSURE	30 bar (depends on diameter)
OPENING PRESSURE	0,3 bar
WORKING TEMPERATURE	0 - 120°C
CONNECTION	CLAMP BS4825 - WELDING CONNECTION

OPTIONAL

IN PLACE DRAIN DEVICE

SURFACE FINISH

INTERNAL INOX SURFACES	Ra<=0,5 MICRON or better
EXTERNAL SURFACES	standard SATIN-POLISHED / MIRROR POLISHED on request

DAM RACCORDI S.R.L.

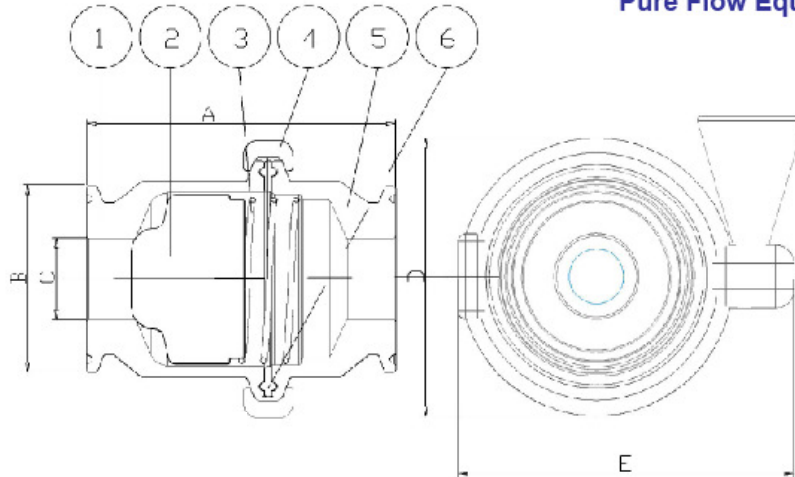
PURE FLOW EQUIPMENT

DAM raccordi s.r.l.
Via Melozzo da Forlì, 27/A
20060 Mombretto di Mediglia (MI)
ITALY

Tel. +39 02 8965 0921
Fax +39 02 8965 0920
mobile +39 335 58 65 642
damraccordi@alice.it—info@damraccordi.it

Dimensioni e codici valvole.

DAM raccordi s.r.l.
Pure Flow Equipment



CODE	DIMENSION TABLE	A	B	C	CENTRAL CLAMP
VRS-12-TC	1/2"	70	25,4	9,4	1"
VRS-19-TC	3/4"	70	25,4	15,7	1"
VRS-25-TC	1"	85	50,4	22,1	2"
VRS-38-TC	1 1/2"	85	50,4	34,7	2"
VRS-51-TC	2"	125	64	47,5	3"
VRS-63-TC	2 1/2"	125	77,4	60,2	3"

2.2-FULL TRACEABILITY MARKING

-Standard MARKING. :

VRS-25-TC
 "LOT NUMBER" – "HEAT NUMBER" – 1.4404
 DAM raccordi s.r.l.
 Pure Flow Equipment

CERTIFICATION WETTED PARTS :

- EN10204 3.1
- FDA - USP CLASS VI
- ROUGHNESS
- - meets ATEX applications for Ex 2GD T4 plants

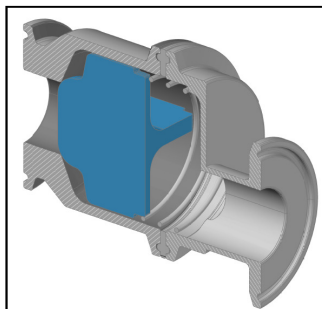
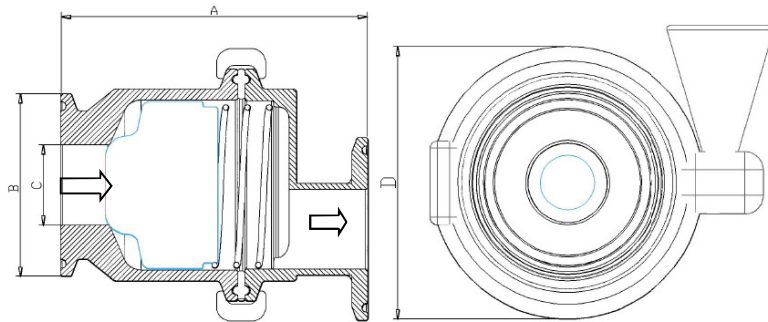
DAM RACCORDI S.R.L.
 PURE FLOW EQUIPMENT

DAM raccordi s.r.l.
 Via Melozzo da Forlì, 27/A
 20060 Mombretto di Mediglia (MI)
 ITALY

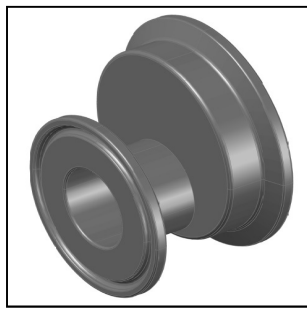
Tel. +39 02 8965 0921
 Fax +39 02 8965 0920
 mobile +39 335 58 65 642
 damraccordi@alice.it—info@damraccordi.it

The Aseptic Check Valve is available also in the **HORIZONTAL** construction. This shape makes the valve completely self-drainable when high purity and aseptic conditions are required on pharmaceutical plants. As the vertical model it is machined from AISI 316L solid round bars and is assembled with standard clamp – no additional tools needed.

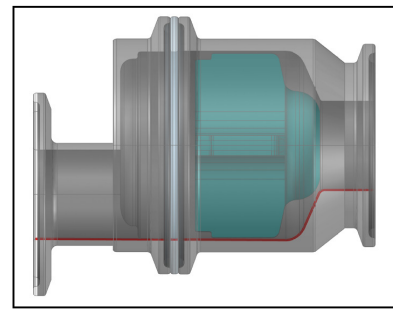
Horizontal SELF DRAINABLE construction



ONLY 6 PARTS



ECCENTRIC HALF BODY



DRAIN LINE

CODE	DIMENSION TABLE	A	B	C	CENTRAL CLAMP
VRS-12-TC-H	1/2"	70	25,4	9,4	1"
VRS-19-TC-H	3/4"	70	25,4	15,7	1"
VRS-25-TC-H	1"	85	50,4	22,1	2"
VRS-38-TC-H	1 1/2"	85	50,4	34,7	2"
VRS-51-TC-H	2"	125	64	47,5	3"
VRS-63-TC-H	2 1/2"	125	77,4	60,2	3"

FULL TRACEABILITY MARKING

-Standard MARKING. :

VRS-25-TC

“LOT NUMBER” – “HEAT NUMBER” – 1.4404

DAM raccordi s.r.l.

Pure Flow Equipment

CERTIFICATION :

- WETTED PARTS : EN10204 3.1 - FDA - USP CLASS VI - ROUGHNESS
- - meets ATEX applications for Ex 2GD T4 plants

DAM RACCORDI S.R.L.
 PURE FLOW EQUIPMENT

DAM raccordi s.r.l.
 Via Melozzo da Forlì, 27/A
 20060 Mombretto di Mediglia (MI)
 ITALY

Tel. +39 02 8965 0921
 Fax +39 02 8965 0920
 mobile +39 335 58 65 642

damraccordi@alice.it – info@damraccordi.it



TECHNICAL DATA SHEET
ASEPTIC CHECK VALVE



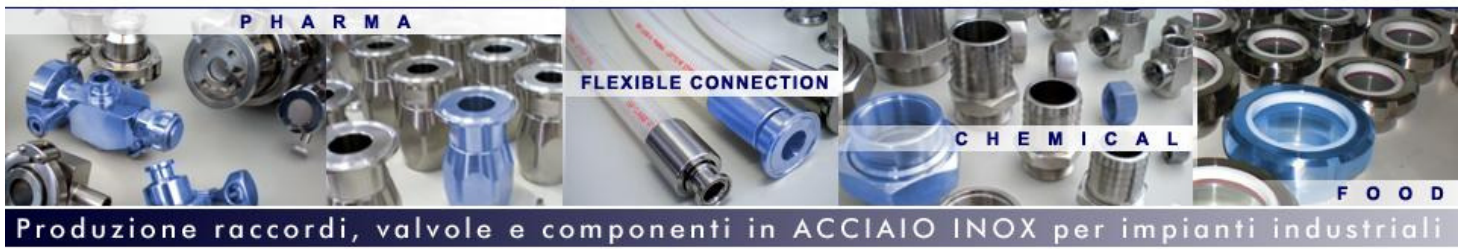
Produzione raccordi, valvole e componenti in ACCIAIO INOX per impianti industriali



DAM RACCORDI S.R.L.
PURE FLOW EQUIPMENT

DAM raccordi s.r.l.
Via Melozzo da Forlì, 27/A
20060 Mombretto di Mediglia (MI)
ITALY

Tel. +39 02 8965 0921
Fax +39 02 8965 0920
mobile +39 335 58 65 642
damraccordi@alice.it—info@damraccordi.it



Advanced Aseptic Components



Aseptic Tank Bottom Valve



Sanitary Clamp Fittings



Aseptic Check Valve



Bsp Fittings



Aseptic Sampling Valve
 ZDL valve



Flexible Connection

DAM RACCORDI S.R.L.
 PURE FLOW EQUIPMENT

DAM raccordi s.r.l.
 Via Melozzo da Forlì, 27/A
 20060 Mombretto di Mediglia (MI)
 ITALY

Tel. +39 02 8965 0921
Fax +39 02 8965 0920
mobile +39 335 58 65 642
damraccordi@alice.it—info@damraccordi.it