

Integrated Aseptic Sampling Valve "PCS1"

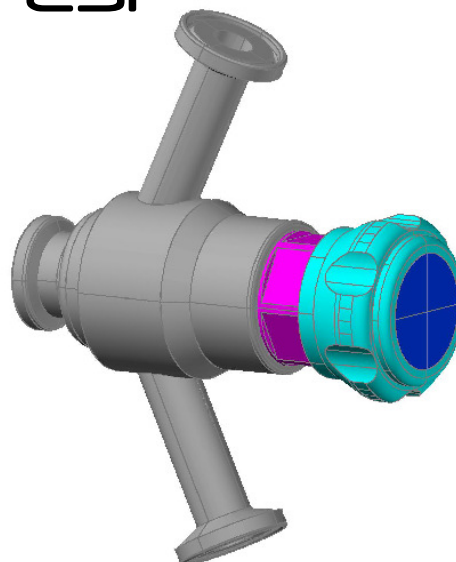
APPLICATION:

Aseptic Sampling Valve is used to obtain pure flow sampling on pharmaceutical and chemical plants. The valve body is completely machined from solid AISI 316L round bars. The valve internal design, if compared with traditional sampling valve has been engineered to dramatically reduce the risk of contamination caused by bacteria traps: clean surfaces design, 100% drenability, socket welded steam and sampling connections, easy and fast maintenance operations make the ASV a complete and appreciated device for pharmaceutical application.

PCS2 and PCS3 type are also available with and an **exclusive integrated valve for SIP phase (patent pending)**. In particular PCS3 has been designed and engineered to maximize the operators PROTECTION during dangerous flows sampling operation.

SAMPLING PHASES:

- **STERILIZATION** through steam injection by the integrated sip valve.
- Or **DEACTIVATING** solution injection phase to counterbalance potential contamination
- **SAMPLING** phase opening the front valve through TC bs4825 connection or through injectable diaphragm glass in HP model. Flow modulator valve or auto-stop valve are available with same connection



PNEUMATIC ACTUATOR

TC BS4825 CONNECTION



TANK ZDL CONNECTION



See OUR FULL RANGE
OF
ASEPTIC sampling valve



DAM RACCORDI S.R.L.
PURE FLOW EQUIPMENT

DAM raccordi s.r.l.
Via Melozzo da Forlì, 27/A
20060 Mombretto di Mediglia (MI)
ITALY

Tel. +39 02 8965 0921
Fax +39 02 8965 0920
mobile +39 335 58 65 642
damraccordi@alice.it—info@damraccordi.it

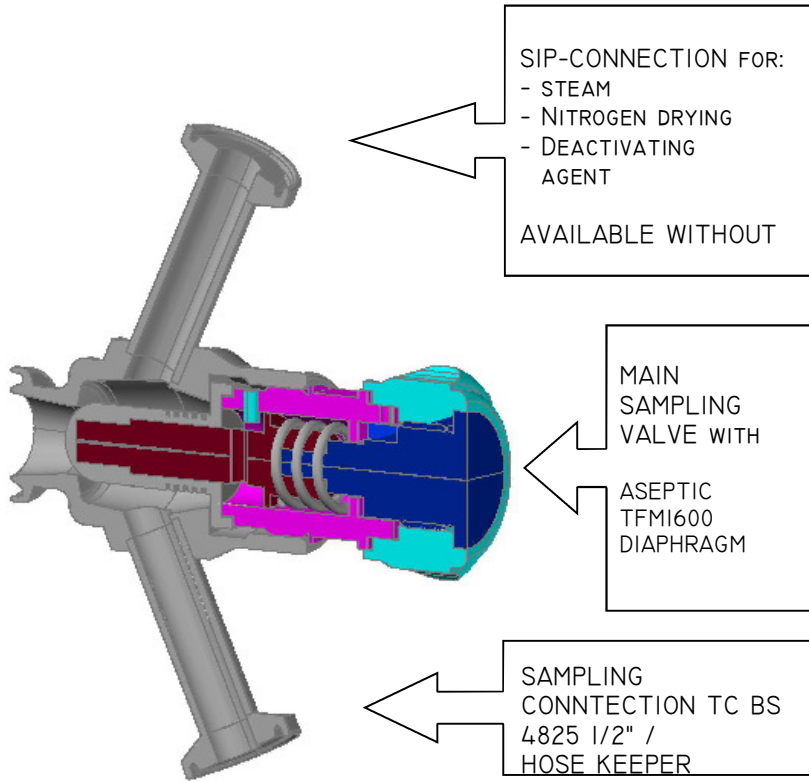


TABLE OF MATERIAL:

- VALVE BODY **AISI 316L**
 - DIAPHRAGMS **TFM 1600**
 - STEMs **AISI 316L**
 - SPRINGs **AISI 316L**
 - KNOBs **AISI 316L**
- ALL PARTS ARE AUTOCLAVABLE

MAX WORKING CONDITIONS

- Pressure: 4bar
- Temperature -20°C to 150°C
- Flow Rate 1300 l/h - 3 bar

COMMON VALVE CONNECTION

- TANK CONNECTION is
 - BS4825 dn 3/4"
 - ZDL TANK
 - WELDING
- SAMPLING/SIP connection is
 - BS4825 dn 1/2"
 - WELDING 12.7 X 1.65
 - RUBBER HOSE ADAPTOR

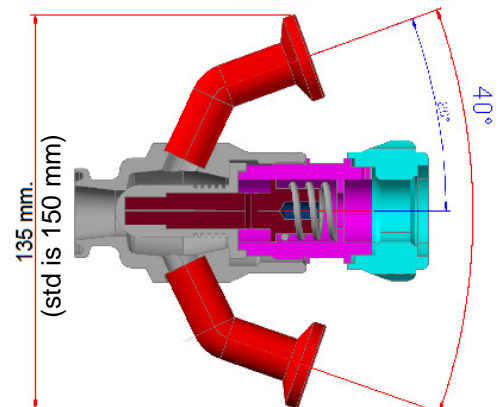
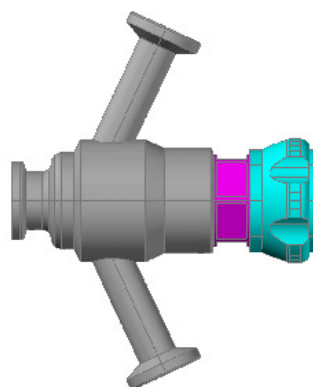
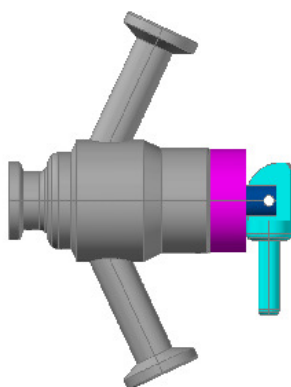
AVAILABLE MANUAL CONFIGURATION

PNEUMATIC SINGLE EFFECT ACTUATOR IS ALSO AVAILABLE

ON - OFF HEAD

FLOW MODULATOR HEAD

APPLICATION FOR INSULATED TANK



DAM RACCORDI S.R.L.
PURE FLOW EQUIPMENT

DAM raccordi s.r.l.
Via Melozzo da Forlì, 27/A
20060 Mombretto di Mediglia (MI)
ITALY

Tel. +39 02 8965 0921
Fax +39 02 8965 0920
mobile +39 335 58 65 642
damraccordi@alice.it—info@damraccordi.it